

## Delta Membrane Systems Limited

Delta House  
Merlin Way  
North Weald, Epping  
Essex CM16 6HR

Tel: 01992 523523 Fax: 01992 523250

e-mail: [info@deltamembranes.com](mailto:info@deltamembranes.com)

website: [www.deltamembranes.com](http://www.deltamembranes.com)



**Agrément Certificate**

**00/3742**

Product Sheet 6

### DELTA MEMBRANE SYSTEMS

#### DELTA-PT (3 MM)

This Agrément Certificate Product Sheet<sup>(1)</sup> relates to Delta-PT (3mm), a moulded high-density polyethylene (HDPE) membrane incorporating a polypropylene mesh as a key for plaster, render or dry lining applied on plaster dabs, for use in new construction or existing buildings. It is used for waterproofing and damp-proofing on walls and vaulted ceilings, above or below ground, over a contaminated or damp background. It can also be used externally as a waterproof support for render.

(1) Hereinafter referred to as 'Certificate'.

#### CERTIFICATION INCLUDES:

- factors relating to compliance with Building Regulations where applicable
- factors relating to additional non-regulatory information where applicable
- independently verified technical specification
- assessment criteria and technical investigations
- design considerations
- installation guidance
- regular surveillance of production
- formal three-yearly review.



#### KEY FACTORS ASSESSED

**Resistance to water and water vapour** — the membrane is water resistant and has a high resistance to water vapour transmission (see section 6).

**Resistance to salt transfer** — the membrane provides an effective barrier to the transmission of salts or other contaminants from the substrate (see section 8).

**Properties in relation to fire** — the Certificate holder has not declared a reaction to fire classification in accordance with BS EN 13501-1 : 2018 and the use of the system is restricted under the national Building Regulations in some cases (see section 9).

**Resistance to impact** — the membrane, plastered, rendered or dry-lined, has a satisfactory resistance to soft and hard body impacts (see section 10).

**Durability** — under normal conditions of use, the system will provide an effective barrier to the transmission of salts, liquid water and water vapour for the life of the structure in which it is incorporated (see section 13).

The BBA has awarded this Certificate to the company named above for the system described herein. This system has been assessed by the BBA as being fit for its intended use provided it is installed, used and maintained as set out in this Certificate.

On behalf of the British Board of Agrément

Date of First issue: 4 November 2021

Hardy Giesler  
Chief Executive Officer

The BBA is a UKAS accredited certification body – Number 113.

The schedule of the current scope of accreditation for product certification is available in pdf format via the UKAS link on the BBA website at [www.bbacerts.co.uk](http://www.bbacerts.co.uk)

Readers **MUST** check the validity and latest issue number of this Agrément Certificate by either referring to the BBA website or contacting the BBA directly.

Any photographs are for illustrative purposes only, do not constitute advice and should not be relied upon.

#### British Board of Agrément

Bucknalls Lane  
Watford  
Herts WD25 9BA

tel: 01923 665300  
[clientservices@bbacerts.co.uk](mailto:clientservices@bbacerts.co.uk)  
[www.bbacerts.co.uk](http://www.bbacerts.co.uk)

©2021

## Regulations

In the opinion of the BBA, Delta-PT(3mm), if installed, used and maintained in accordance with this Certificate, can satisfy or contribute to satisfying the relevant requirements of the following Building Regulations (the presence of a UK map indicates that the subject is related to the Building Regulations in the region or regions of the UK depicted):



### The Building Regulations 2010 (England and Wales) (as amended)

<b>Requirement:</b> Comment:	<b>B3(4)</b>	<b>Internal fire spread – structure</b> The system can contribute to satisfying this Requirement. See section 9.1 of this Certificate.
<b>Requirement:</b> Comment:	<b>B4(1)</b>	<b>External fire spread</b> The system is restricted by this Requirement. See section 9 of this Certificate.
<b>Requirement:</b> Comment:	<b>C2(a)(b)</b>	<b>Resistance to moisture</b> The system adequately resists the passage of moisture. See section 6.1 of this Certificate.
<b>Regulation:</b> Comment:	<b>7(1)</b>	<b>Materials and workmanship</b> The system is acceptable. See section 13 and the <i>Installation</i> part of this Certificate.



### The Building (Scotland) Regulations 2004 (as amended)

<b>Regulation:</b> Comment:	<b>8(1)</b>	<b>Durability, workmanship and fitness of materials</b> The system is acceptable. See section 13 and the <i>Installation</i> part of this Certificate.
<b>Regulation:</b> Standard: Comment:	<b>9</b> 2.4	<b>Building standards applicable to construction</b> Cavities The system can contribute to satisfying this Standard with respect to clause 2.4.2 <sup>(1)(2)</sup> . See section 9.1 of this Certificate.
Standard: Comment:	3.3	Flooding and ground water The system can contribute to minimising or eliminating the effects of flooding on the building fabric and/or the building element, with reference to clause 3.3.1 <sup>(1)(2)</sup> of this Standard. See section 6.1 of this Certificate.
Standard: Comment:	3.4	Moisture from the ground The system adequately resists the passage of moisture, with reference to clauses 3.4.1 <sup>(1)(2)</sup> , 3.4.2 <sup>(1)(2)</sup> , 3.4.5 <sup>(1)(2)</sup> , 3.4.6 <sup>(1)(2)</sup> and 3.4.7 <sup>(1)(2)</sup> of this Standard. See section 6.1 of this Certificate.
Standard: Comment:	3.6(a)	Surface water drainage The system can contribute to satisfying this Standard, with reference to clause 3.6.3 <sup>(1)(2)</sup> . See section 6.1 of this Certificate.
Standard: Comment:	3.10	Precipitation The system adequately resists the passage of moisture, with reference to clause 3.10.1 <sup>(1)(2)</sup> of this Standard. See section 6.1 of this Certificate.
Standard: Comment:	7.1(a)	Statement of sustainability The system can contribute to satisfying the relevant requirements of Regulation 9, Standards 1 to 6, and therefore will contribute to a construction meeting a bronze level of sustainability as defined in this Standard.

<b>Regulation:</b>	<b>12</b>	<b>Building standards applicable to conversions</b>
<b>Comment:</b>	Comments in relation to the system under Regulation 9, Standards 1 to 6, also apply to this Regulation, with reference to clause 0.12.1 <sup>(1)(2)</sup> and Schedule 6 <sup>(1)(2)</sup> .	
	(1) Technical Handbook (Domestic). (2) Technical Handbook (Non-Domestic).	



## The Building Regulations (Northern Ireland) 2012 (as amended)

<b>Regulation:</b>	<b>23(a)(i)</b>	<b>Fitness of materials and workmanship</b>
<b>Comment:</b>	<b>(iii)(b)(i)</b>	The system is acceptable. See section 13 and the <i>Installation</i> part of this Certificate.
<b>Regulation:</b>	<b>28(a)(b)</b>	<b>Resistance to moisture and weather</b>
<b>Comment:</b>		The system adequately resists the passage of moisture. See section 6.1 of this Certificate.
<b>Regulation:</b>	<b>35(4)</b>	<b>Internal fire spread – structure</b>
<b>Comment:</b>		The system can contribute to satisfying this Regulation. See section 9.1 of this Certificate.

## Construction (Design and Management) Regulations 2015

## Construction (Design and Management) Regulations (Northern Ireland) 2016

Information in this Certificate may assist the client, designer (including Principal Designer) and contractor (including Principal Contractor) to address their obligations under these Regulations.

See sections: 1 *Description* (1.2) and 3 *Delivery and site handling* (3.3 and 3.4) of this Certificate.

## Additional Information

### NHBC Standards 2021

In the opinion of the BBA, Delta-PT(3mm), if installed, used and maintained in accordance with this Certificate, can satisfy or contribute to satisfying the relevant requirements in relation to *NHBC Standards*, Chapters 5.1 *Substructure and ground bearing floors*, 5.2 *Suspended ground floors* and 6.1 *External masonry walls*.

Where Grade 3 waterproofing protection is required, and the below-ground wall retains more than 600 mm (measured from the top of the retained ground to the lowest finished floor level), the system should be used in combination with either a Type A or B waterproofing protection.

In the opinion of the BBA, the use of the system on existing structures, when installed and used in accordance with this Certificate, can satisfy or contribute to satisfying the relevant requirements in relation to *NHBC Standards for Conversions and Renovations*, taking account of other relevant guidance within the chapter and the suitability of the substrate to receive the system.

### CE marking

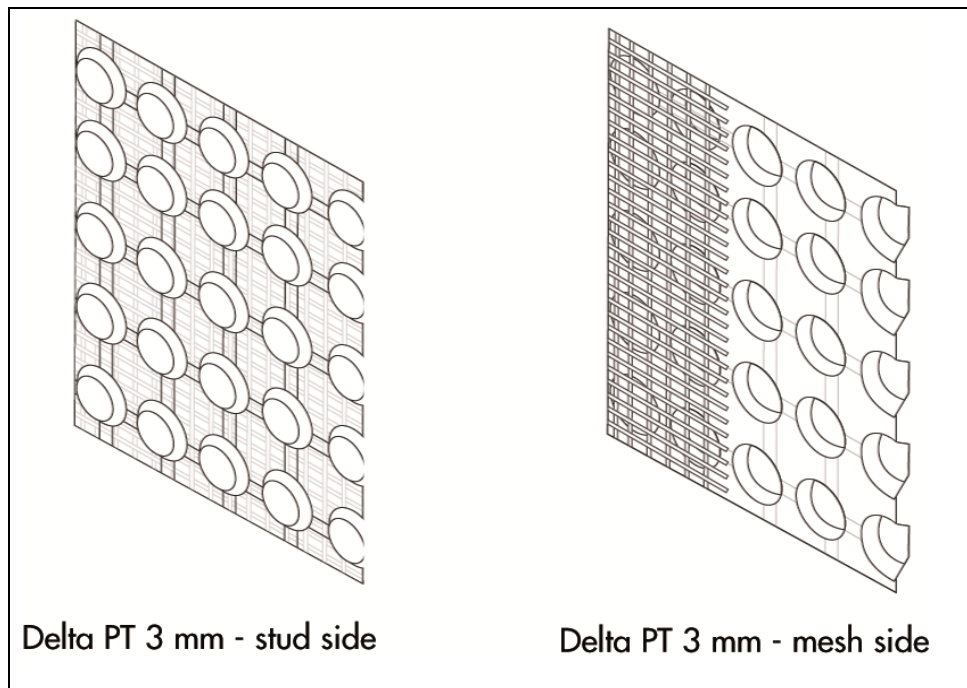
The Certificate holder has taken the responsibility of CE marking the membrane in accordance with harmonised European Standard BS EN 13967 : 2012.

## Technical Specification

### 1 Description

1.1 Delta-PT (3mm) is a clear HDPE sheet with moulded studs. It has a woven polypropylene mesh thermally bonded to the membrane on the face side to form a key for plaster and render finishes (see Figure 1).

Figure 1 Delta PT(3mm) membrane



1.2 The membrane is available in the following dimensions:

Thickness (mm)	0.4
Stud height (mm)	3
Weight per unit area ( $\text{kg}\cdot\text{m}^{-2}$ )	0.5
Roll size (m)	2.0 x 20 <sup>(1)</sup>
Weight per roll (kg)	20
Air gap volume ( $\text{l}\cdot\text{m}^{-2}$ )	2.0.

(1) Includes a 100 mm mesh-free area for overlapping sheets.

1.3 Ancillary items used with the membrane include:

- Flexidri-Plus Fixing Plug — a plastic plug supplied with preformed rubber seal and plastic expansion pin. After fixing, the pin is inserted into the hollow shaft of the plug and hammered home. This slightly expands the shaft and provides a more secure fixing. The pin will accept a 5 mm diameter screw to enable a secondary fixing.
- Delta-PT Plug — white, polypropylene fixing plug with a grooved shank for use in masonry walls and concrete. This plug requires butyl rope to be applied around the shank before use (see Figure 2)
- Delta-PT Plug with grommet — white, polypropylene fixing plug supplied with preformed rubber seal for use in masonry walls and concrete (see Figure 3)
- Delta Qwik-Seal Plug — a plastic plug supplied with preformed rubber seal for use in masonry walls and concrete
- Delta PT Ultrafix Plug — a modification to the Delta PT plug which enables the fixing of a screw into the head of the plug, if required on a PT (3mm) membrane installation. (see Figure 4)
- Delta-PT Profile — a plastic edging strip to assist ventilation of the rear face of the membrane, and to act as a plaster stop
- Delta Tape — black butyl tape for sealing joints in the membrane
- Delta Rope — black butyl beading for sealing the membrane around pipes and openings, joining floor and wall membranes, and to seal around the head of Delta-PT Plugs prior to fixing the membrane
- Delta Mastic — an acrylic sealant for sealing the membrane around pipes and openings
- Delta Corner Strip — a self-adhesive membrane strip for sealing junctions between walls and floors, and for sealing joints at corners
- Delta Fleece-Tape — 100 mm wide butyl tape with fleece backing for sealing joints in the membrane. The fleece backing will form a bond with the plaster when used with meshed membranes
- Delta Primer — a solvent-based primer for sealing porous substrates prior to application of the Delta range of butyl-based sealing products.

Figure 2 Delta-PT(3mm) Plug with Delta Rope

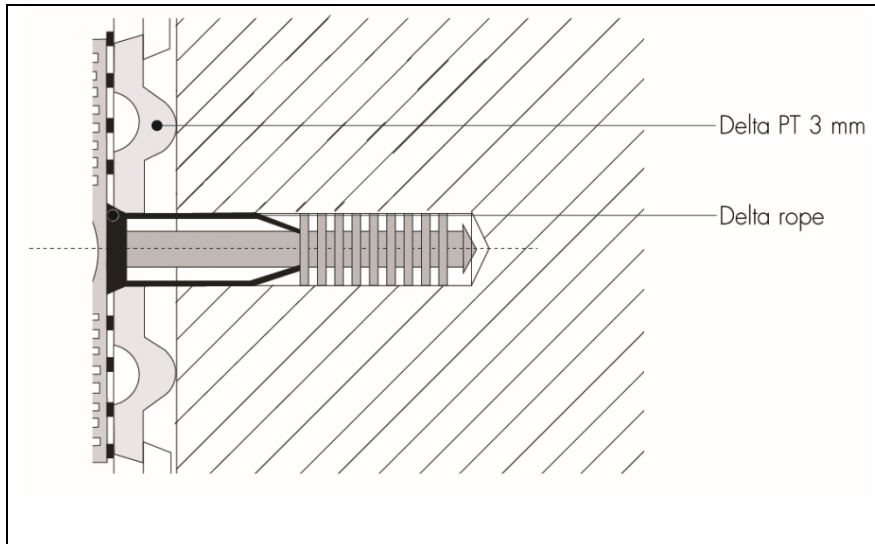


Figure 3 Delta-PT(3mm) Plug with Grommet

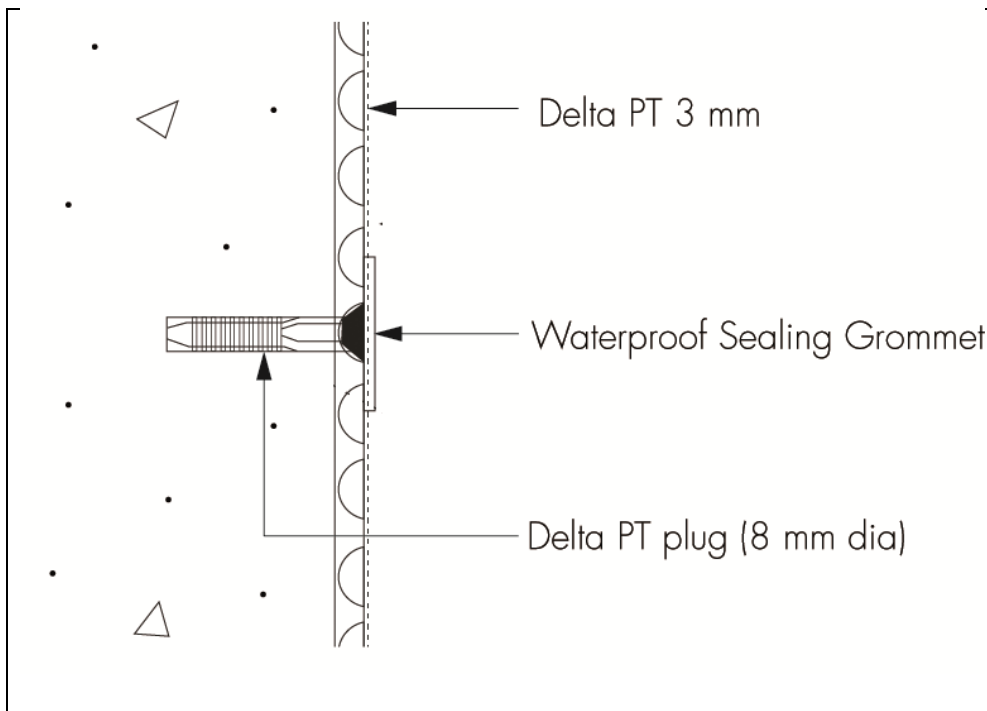
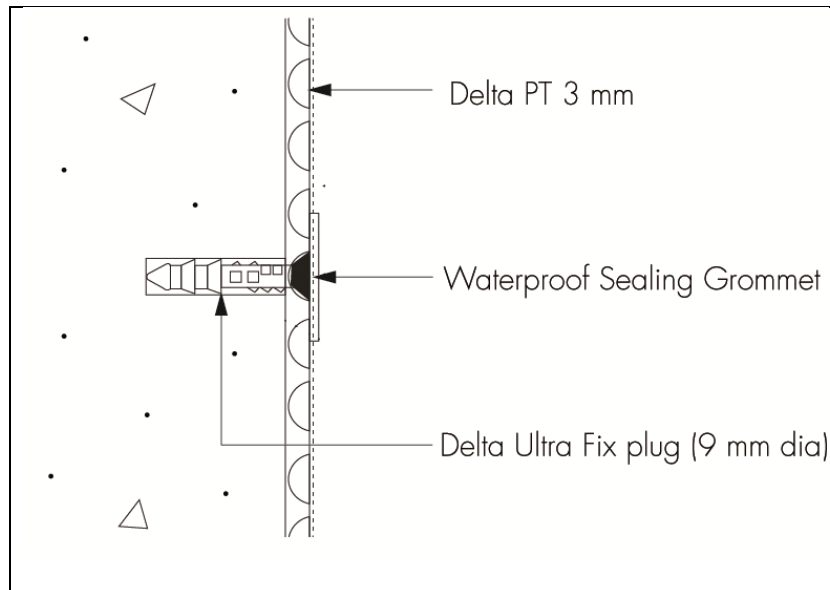


Figure 4 Delta PT Ultrafix Plug



## 2 Manufacture

2.1 The membrane is formed in a continuous process in which HDPE is extruded into sheets and the stud impression formed. A woven polypropylene mesh is then thermally welded onto the face side of the membrane.

2.2 As part of the assessment and ongoing surveillance of product quality, the BBA has:

- agreed with the manufacturer the quality control procedures and product testing to be undertaken
- assessed and agreed the quality control operated over batches of incoming materials
- monitored the production process and verified that it is in accordance with the documented process
- evaluated the process for management of nonconformities
- checked that equipment has been properly tested and calibrated
- undertaken to carry out the above measures on a regular basis through a surveillance process, to verify that the specifications and quality control operated by the manufacturer are being maintained.

## 3 Delivery and site handling

3.1 The membrane is delivered to site in rolls secured with outer wrapping, and a headband bearing the product and manufacturer's name.

3.2 Rolls should be stored on end, under cover and protected from sharp objects, sunlight and high temperatures.

3.3 The packaging details of the ancillary items are shown in Table 1.

*Table 1 Packaging details*

Item	Dimensions/volume	Packaging/quantity
Flexidri-Plus Fixing Plug	10 mm diameter 90 mm long	Boxes of 100
Delta-PT Plug	8 mm diameter 52 mm long	Boxes of 250 or 2000
Delta-PT Plug with grommet	8 mm diameter 52 mm long	Boxes of 250
Delta Qwik-Seal Plug	10mm diameter 58mm long	Boxes of 100
Delta-PT Profile	2 m strips	Single or bundles of 20
Delta Tape	22.5 m long 28 mm wide 2 mm thick	1 roll per box 10 rolls per outer box
Delta Rope	4.75 m long 10 mm diameter	1 roll per box 10 rolls per outer box
Delta Mastic	0.4 litre cartridge	24 cartridges per box
Delta Corner Strip	20 m long 150 mm wide	Single rolls 2 rolls per box
Delta Fleece-Tape	20 m long 100 mm wide 0.9 mm thick	1 roll per box
Delta Primer	10 litres	Single 10 litre tins

3.4 The Certificate holder has taken the responsibility of classifying and labelling the membrane under the *CLP Regulation (EC) No 1272/2008 on the classification, labelling and packaging of substance and mixtures*. Users must refer to the relevant Safety Data Sheet(s).

## Assessment and Technical Investigations

The following is a summary of the assessment and technical investigations carried out on Delta-PT(3mm).

### Design Considerations

#### 4 General

4.1 Delta-PT(3mm) is satisfactory for use to waterproof and damp-proof internal and external walls, and vaulted ceilings, above and below ground, in new construction or in existing buildings over a contaminated or damp background. It can support plastering, rendering or a dry lining fixed by plaster dabs (where appropriate) in the following situations:

- on damp walls in underground situations subject to high groundwater levels and perennial moisture
- on vaulted ceilings of archways or cellars subject to water ingress
- in conjunction with a remedial dpc system where the walls have a high salt content, and/or where it is necessary to complete the installation immediately without allowing a period for initial drying
- over walls which have a friable or painted surface, are contaminated (eg with oil or mould) or have a high salt content
- as a waterproofing membrane in areas subject to vibration.

4.2 Depending on the application required and the site conditions, the membrane may be used as:

- a dry lining for walls, ventilated into the room via aeration slots at the top and bottom of the wall or via passive air vents, where access through an external wall is available
- a sealed system covering wall, floor and ceiling with provision made for disposing of water build-up behind the membrane via a sump and pump.



4.3 The membrane has not been assessed for use in chemically contaminated areas, such as brownfield sites.

4.4 The system is satisfactory for use in Type C (drained protection) constructions in accordance with BS 8102 : 2009.

## 5 Practicability of installation

The membrane is designed to be installed by competent specialist contractors experienced with damp-proofing work.

## 6 Resistance to water and water vapour



6.1 The membrane is water resistant and has a high resistance to water vapour transmission. However, the system as installed is not resistant to hydrostatic pressure and, consequently, the measures described in the *Installation* part of this Certificate must be followed to ensure that the membrane acts as a drainage layer with no excessive build-up of water behind the system.

6.2 All joints and fixings must be sealed with Delta sealing products; drainage channels and gullies, or sumps and pumps, should be installed as necessary to disperse excess or standing water.

## 7 Condensation

7.1 As with any room, there is a need to control the generation and dispersal of moisture in the internal environment and to select appropriate and robust designs to minimise the risk of both surface and interstitial condensation, especially where lining boards backed by an insulating layer are used and fixed to the membrane using adhesive dabs.

7.2 In common with most waterproofing membranes, the system has a very high resistance to vapour diffusion, and when placed on the cold side of a construction may increase the risk of interstitial condensation. A calculation should be carried out to BS 5250 : 2011 and designers should consider appropriate techniques for managing the safe egress of moisture vapour (such as control of the internal room environment or the use of a vapour control layer on the warm side of the insulation) and in particular the effect of moisture on any materials at, or in contact with materials below, the local dew-point.

## 8 Resistance to salt transfer

The membrane provides an effective barrier to the transmission of salts or other contaminants from the substrate.

## 9 Properties in relation to fire



9.1 The Certificate holder has not declared a classification in accordance with BS EN 13501-1 : 2018. Where the system forms the face of a cavity, the permissible areas of use and the spacing of cavity barriers are restricted by the documents supporting the national Building Regulations.



9.2 In England and Wales, when used as part of the external wall above ground level, the membrane should not be used on buildings that have a storey at least 18 m above ground level and which contain: one or more dwellings, an institution, a room for residential purposes (excluding any room in a hostel, hotel or boarding house), student accommodation, care homes, sheltered housing, hospitals or dormitories in boarding schools.

## 10 Resistance to impact

The membrane plastered, rendered or dry lined, has a satisfactory resistance to soft and hard body impacts.

## 11 Wall-mounted fittings

Wall-mounted fittings (apart from lightweight items such as framed pictures) should be fixed where possible into battens, whose position and number of support fixings into the loadbearing structure are predetermined. Only in exceptional circumstances should fittings be fixed<sup>(1)</sup> through the membrane and lining board to the loadbearing



structure behind. Holes made in the membrane must be repaired in accordance with the Certificate holder's recommended procedures.

(1) Using proprietary fixings.

## 12 Maintenance

12.1 As the membrane is covered by plaster, render or plasterboard and has suitable durability (see section 13), maintenance is not required.

12.2 Regular maintenance of all gullies, sumps and pumps must be conducted to ensure that a build-up of water does not occur behind the membrane.

## 13 Durability



Under normal conditions of use, the system will provide an effective barrier to the transmission of salts, liquid water and water vapour for the life of the structure in which it is incorporated.

## 14 Reuse and recyclability

The membrane is made from HDPE, which can be recycled.

## Installation

### 15 Survey

15.1 Where the property is below ground, or where conditions are damp, a full survey by a specialist waterproofing surveyor is necessary to diagnose the cause and to establish if treatment is required.

15.2 If rising damp to above ground elevations is found, a remedial treatment is conducted in accordance with the relevant BBA Certificate, BS 6576 : 2005 and the Property Care Association *Code of Practice for Installation of Remedial Damp-proof Courses in Masonry Walls*, 2006.

15.3 Appropriate remedial measures are taken to rectify major causes of damp conditions or water ingress, and to repair structural defects.

### 16 Surface preparation

16.1 When used in existing buildings any unsound plaster, render or screed is removed to expose the substrate which is then cleaned with a stiff brush to remove loose material, laitance, salt residue, mould or adhesive. If mould is present, the substrate is treated with an HSE approved fungicidal wash.

16.2 Uneven substrates should be dubbed out with a cement-sand (1:4) or cement-lime-sand (1:1:6) render to achieve a flat finish, and allowed to dry thoroughly before Delta-PT(3mm) is installed.

### 17 Procedure

#### General

17.1 Delta-PT (3mm) may be used in combination with any of the appropriate Delta membranes which are the subjects of other Product Sheets of this Certificate.

17.2 Internally, the membrane should always be used with the lower sheet placed in front of the higher sheet. Externally, the lower sheet should always be placed behind the higher sheet.

17.3 Fixings are made through the membrane into holes drilled centrally through the studs to a depth of at least 55 mm. When using the Delta-PT Plugs with grommet, an 8 mm diameter hole should be drilled, and when using Delta Qwik-Seal Plugs or Flexidri-Plus Fixing Plugs a 10 mm diameter hole should be drilled. The plugs are inserted into the holes and hammered flush with the membrane using a club hammer. When using Flexidri-Plus Fixing Plug, the fixing pin should be inserted into the shaft and hammered home. The seal must be compressed to function as a barrier against water ingress, and this should be visually checked as each plug is fixed.

17.4 Alternatively, Delta-PT Plugs (to which Delta Rope has been applied around the shaft, next to the head) are inserted into the holes and hammered flush with the membrane. Delta Rope forms a sealing gasket between the plug and the membrane.

17.5 Fixings are made at a maximum spacing of 250 mm for internal plastered or dry-lined situations, and a maximum of 150 mm for external rendered situations.

17.6 Joints between membranes are formed in two ways. If the unmeshed edge of a sheet is used, then an overlap of at least 100 mm is used, with fixings made through both membranes and substrate, and the sheets sealed with Delta Rope, Delta Tape or Delta Mastic. If the unmeshed edge is not available, then an overlap between sheets of 200 mm is used and sealed with Delta Mastic, or oversealed with Delta Fleece-Tape.

17.7 Where appropriate, at wall/floor junctions and corners of the installation, the membrane may be cut flush and the gap between the wall and floor membranes sealed with Delta Fleece-Tape. Alternatively, the floor membrane may be turned up by 100 mm at the wall, and oversealed with Delta Fleece-Tape.

17.8 Where internal or external corners occur, they should be oversealed using Delta Fleece-Tape, in accordance with the Certificate holder's installation instructions.

17.9 On difficult substrates, the use of the clear membrane allows the contractor to view the substrate through the membrane and choose the optimum site for each fixing.

## **Walls**

17.10 Installation of the membrane is usually commenced at the top of the construction. The membrane may require initial fixing on a ceiling or along the upper edge of a wall, prior to final fixing. For above ground installations, ventilation gaps of 10 mm are left at ceiling and floor level and finished using Delta-PT Profile.

17.11 Where there is access to an external wall, the cavity behind the membrane may be vented via air bricks or passive vents. In this case, the internal ventilation gaps mentioned in section 17.10 may not be necessary.

17.12 The installation is conducted over windows and the membrane is cut away to expose them. The gaps are then sealed with Delta Tape or Delta Rope.

17.13 For doors and some obstructions the technique covered in section 17.12 cannot be used. Instead, the membrane is installed up to the perimeter and the gap sealed in the same manner.

17.14 Power cables, points and light switches should preferably be remounted in front of the membrane.

## **Ceilings**

17.15 Ceilings to be covered must always have a fall, as per vaulted cellar constructions, to ensure water does not lie against the membrane or a joint. Membrane sheets should have an overlap of 200 mm.

17.16 Delta Qwik-Seal Plugs, Flexidri-Plus Fixing Plugs or Delta Plugs sealed with Delta Rope should be used to fix the membrane to vaulted ceilings. Any sagging of the membrane between fixing points on ceilings should not be great enough for ponding to occur.

17.17 At the end walls of vaulted constructions, the membrane must be turned down onto the end wall by a minimum 200 mm. The membrane is mitred as necessary to fit the curve of the ceiling, and the joint sealed with Delta Rope. The wall membrane should be cut into the curve of the ceiling, fixed in front of the ceiling membrane, and the gap sealed with Delta Rope.

## 18 Plastering

18.1 The membrane should be plastered with a plaster recommended by the Certificate holder in accordance with BS 8481 : 2006, BS EN 13914-2 : 2016 and/or the appropriate BBA Certificate.

18.2 The plaster should be a minimum total depth of 15 mm, applied in accordance with the manufacturer's instructions.

## 19 Rendering

19.1 Where Delta-PT (3mm) has been used externally, it must be rendered with a cement-lime-sand (1:1:6) mix applied to a total thickness of 20 mm in accordance with BS 8481 : 2006.

19.2 The render should be applied in three coats, allowing 7 to 10 days between coats.

19.3 Owing to the difference in thermal characteristics between Delta-PT (3mm) and the render, expansion joints through the render to the membrane must be trowelled in along each lap joint to reduce the possibility of cracking. The joints must be filled with a suitable flexible polymer-based sealant.

19.4 A proprietary polymer/fibre modified render may be used, applied in two coats to a minimum thickness of 25 mm. In such cases, expansion joints must be provided in accordance with recommendations from the Certificate holder and the render manufacturer.

19.5 Using Delta-PT Profile, a 5 mm ventilation gap at the top, and at least 10 mm at the bottom, should be left to assist ventilation of the air gap behind the membrane.

19.6 Where a sand-cement mix is to be used internally, two coats 7 to 8 mm thick are applied, finished with a 3 mm thick gypsum-based skim coat.

## 20 Dry lining of walls

20.1 A gypsum-based drywall adhesive to BS EN 14496 : 2017 is mixed and applied directly over the fixing centres and in bands along the top and bottom of the membrane. The adhesive dabs are applied to a minimum thickness of 8 mm and should cover a minimum of 50% of the membrane.

20.2 Gypsum plasterboards to BS EN 520 : 2004, or similar dry lining boards which are the subject of a current BBA Certificate, are pressed onto the adhesive dabs and jointed in the usual manner. Temporary spacers (approximately 25 mm high) are positioned under the dry lining to support it during the cure period.

## 21 Finishing works

21.1 In above-ground installations, skirting boards are fixed to the finished walls with a 10 mm gap between the skirting and the floor, and ceiling covings are fixed with a 10 mm gap between the coving and the ceiling, to assist ventilation (see Figures 5 and 6). Alternatively, a proprietary ventilated skirting board or ceiling coving can be used. Where the system is vented through an external wall (see section 16.10), these gaps will not be necessary.

21.2 After the system has been installed and the walls dry lined, permanent decorations, such as vinyl paper or oil paint, may be applied. Temporary permeable decorations (necessary with traditional, cement-based waterproofers) are not necessary for use with the system.

## Technical Investigations

## 22 Tests

Tests were carried out and the results evaluated, to determine:

- thickness of membrane
- mass per unit area of membrane

- dome height of membrane
- hard and soft body impact resistance of plastered and rendered membrane
- bond strength of mesh to membrane.

## 23 Investigations

23.1 Trial installations were conducted to assess the practicability of installation of the system and the methods used for plastering and rendering.

23.2 An assessment was made of the scope of use and durability of the system in relation to the generic properties of the membrane and investigations carried out previously on the Delta-MS500 membrane (covered by Product Sheet 1 and PS3 of this Certificate).

23.3 The manufacturing process was evaluated, including the methods adopted for quality control, and details were obtained of the quality and composition of the materials used.

## Bibliography

BS 5250 : 2011 + A1 : 2016 *Code of practice for control of condensation in buildings*

BS 6576 : 2005 + A1 : 2012 *Code of practice for diagnosis of rising damp in walls of buildings and installation of chemical damp-proof courses*

BS 8102 : 2009 *Code of practice for protection of below ground structures against water from the ground*

BS 8481 : 2006 *Design, preparation and application of internal gypsum, cement, cement and lime plastering systems — Specification*

BS EN 520 : 2004 + A1 : 2009 *Gypsum plasterboards — Definitions, requirements and test methods*

BS EN 13914-2 : 2016 *Design, preparation and application of external rendering and internal plastering — Internal plastering*

BS EN 13967 : 2012 + A1 : 2017 *Flexible sheets for waterproofing — Plastic and rubber damp proof shoes including plastic and rubber basement tanking sheet — Definitions*

BS EN 14496 : 2017 *Gypsum based adhesives for thermal/acoustic insulation composite panels and gypsum boards — Definitions, requirements and test methods*

BS EN 13501-1 : 2018 *Fire Classification of construction products and building elements – Classifications from reaction to fire tests*

Property Care Association COP02 *Code of Practice for Installation of Remedial Damp-proof Courses in Masonry Walls*

### 24 Conditions

#### 24.1 This Certificate:

- relates only to the product/system that is named and described on the front page
- is issued only to the company, firm, organisation or person named on the front page – no other company, firm, organisation or person may hold or claim that this Certificate has been issued to them
- is valid only within the UK
- has to be read, considered and used as a whole document – it may be misleading and will be incomplete to be selective
- is copyright of the BBA
- is subject to English Law.

24.2 Publications, documents, specifications, legislation, regulations, standards and the like referenced in this Certificate are those that were current and/or deemed relevant by the BBA at the date of issue or reissue of this Certificate.

24.3 This Certificate will remain valid for an unlimited period provided that the product/system and its manufacture and/or fabrication, including all related and relevant parts and processes thereof:

- are maintained at or above the levels which have been assessed and found to be satisfactory by the BBA
- continue to be checked as and when deemed appropriate by the BBA under arrangements that it will determine
- are reviewed by the BBA as and when it considers appropriate.

24.4 The BBA has used due skill, care and diligence in preparing this Certificate, but no warranty is provided.

24.5 In issuing this Certificate the BBA is not responsible and is excluded from any liability to any company, firm, organisation or person, for any matters arising directly or indirectly from:

- the presence or absence of any patent, intellectual property or similar rights subsisting in the product/system or any other product/system
- the right of the Certificate holder to manufacture, supply, install, maintain or market the product/system
- actual installations of the product/system, including their nature, design, methods, performance, workmanship and maintenance
- any works and constructions in which the product/system is installed, including their nature, design, methods, performance, workmanship and maintenance
- any loss or damage, including personal injury, howsoever caused by the product/system, including its manufacture, supply, installation, use, maintenance and removal
- any claims by the manufacturer relating to CE marking.

24.6 Any information relating to the manufacture, supply, installation, use, maintenance and removal of this product/system which is contained or referred to in this Certificate is the minimum required to be met when the product/system is manufactured, supplied, installed, used, maintained and removed. It does not purport in any way to restate the requirements of the Health and Safety at Work etc. Act 1974, or of any other statutory, common law or other duty which may exist at the date of issue or reissue of this Certificate; nor is conformity with such information to be taken as satisfying the requirements of the 1974 Act or of any statutory, common law or other duty of care.