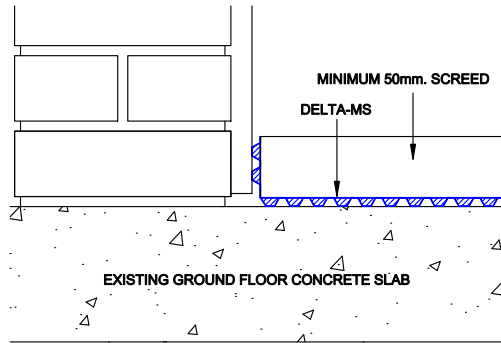


DELTA SYSTEM 500 - AS DPM TO GROUND FLOOR SLAB / OPTIONS

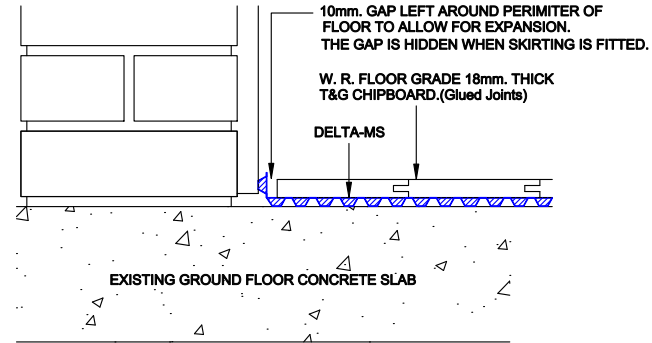
TYPICAL FLOOR FINISH OPTION

THIS OPTION APPLIES TO 3mm, 8mm, OR 20mm. STUD DESIGN



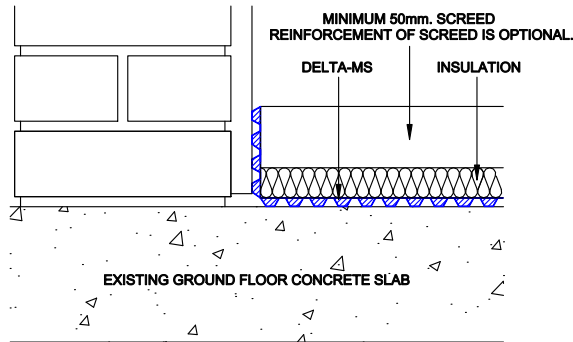
TYPICAL FLOOR FINISH OPTION

THIS OPTION APPLIES TO 3mm, 8mm, OR 20mm. STUD DESIGN



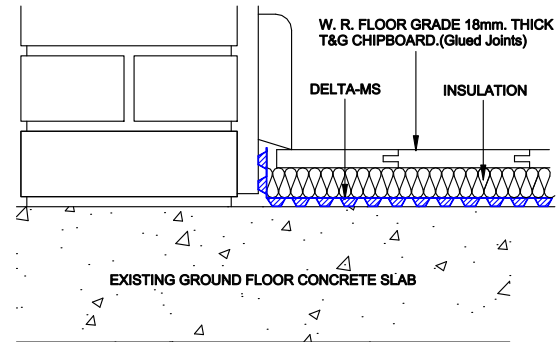
TYPICAL FLOOR FINISH OPTION

THIS OPTION APPLIES TO 3mm, 8mm, OR 20mm. STUD DESIGN



TYPICAL FLOOR FINISH OPTION

THIS OPTION APPLIES TO 3mm, 8mm, OR 20mm. STUD DESIGN



DELTA MEMBRANE SYSTEMS LTD.

DRAWING No: DDP-100-1

DRAWING TITLE: DELTA SYSTEM 500 - AS DPM TO GROUND FLOOR SLAB / TYPICAL FLOOR OPTIONS

DELTA HOUSE, MERLIN WAY, NORTH WEALD, EPPING, ESSEX CM16 6HR
 TEL: 01992 523523 FAX: 01992 523250

OFFICE USE:

REVISION No:
1

REVISION DATE:
May 2017

Drawn By:
Checked By:
Scale:
System Files: PDF / DWG

DRAWING NOTE:

This drawing is for illustrative purposes only. Drawing not to scale.

PROJECT / COMMENTS:

DRAWING NOTES:
All installations to be carried out in strict accordance with manufacturer's installations instructions.
For further assistance contact Delta Technical on 01992 523 523 or email technical@deltamembranes.com