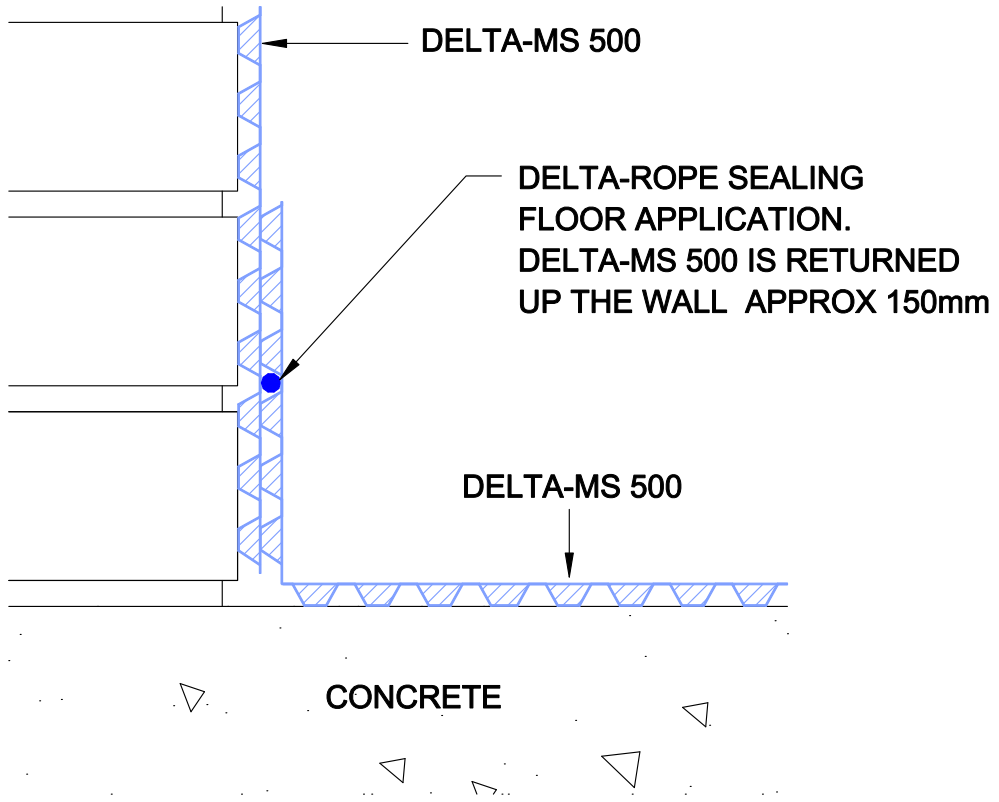
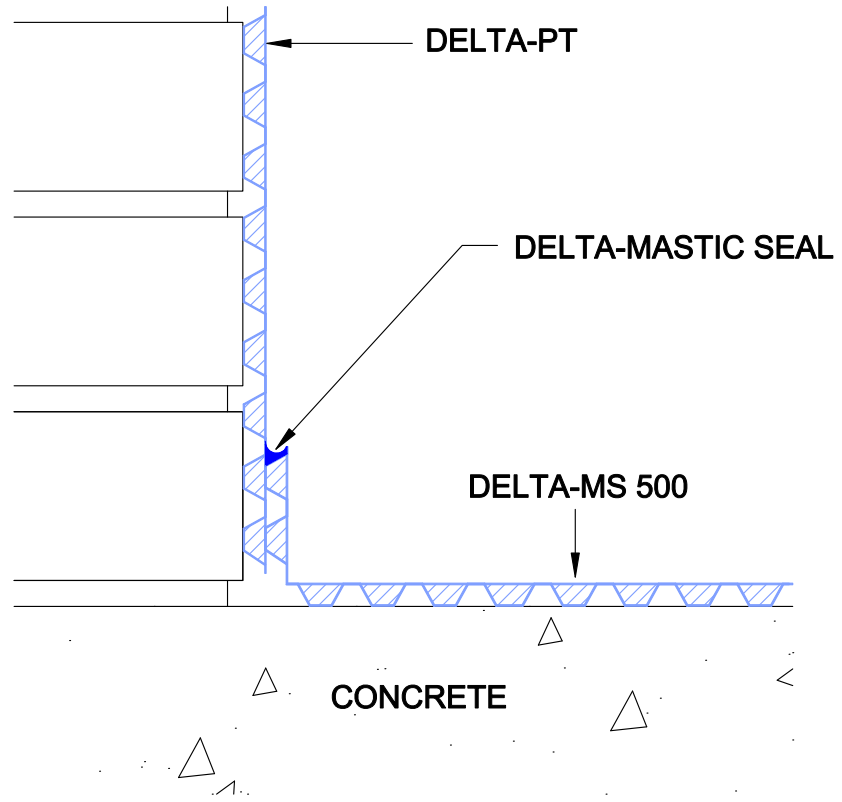


WALL / FLOOR DETAILS ON SEALED SYSTEM



DELTA SYSTEM 500 INCORPORATING DELTA-PT ON WALLS



DELTA MEMBRANE SYSTEMS LTD.

DRAWING No: DW-108-1- (F)

DRAWING TITLE: WALL / FLOOR MS500 + DELTA-PT SEALING DETAIL

DELTA HOUSE, MERLIN WAY, NORTH WEALD, EPPING, ESSEX CM16 6HR
 TEL: 01992 523523 FAX: 01992 523250

OFFICE USE:

REVISION No: 1
 Drawn By:
 Checked By:

REVISION DATE: June 2017
 Scale:
 System Files: PDF / DWG

DRAWING NOTE:
 This drawing is for illustrative purposes only. Drawing not to scale.

PROJECT / COMMENTS:

DRAWING NOTES:
 All installations to be carried out in strict accordance with manufacturer's installations instructions.
 For further assistance contact Delta Technical on 01992 523 523 or email technical@deltamembranes.com