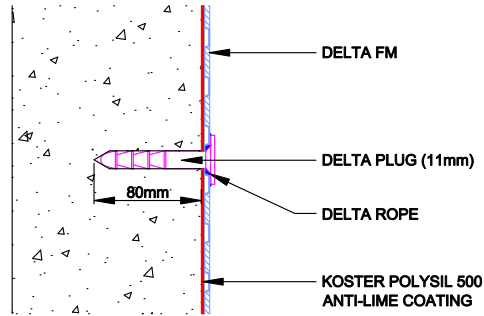
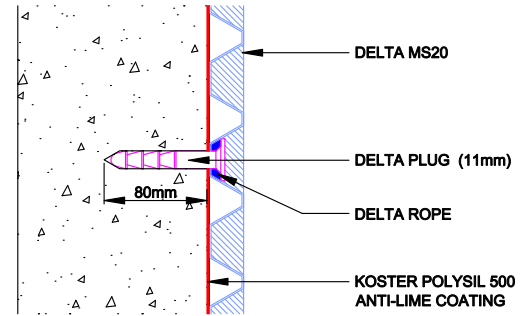


DELTA-PLUG WITH DELTA-FM

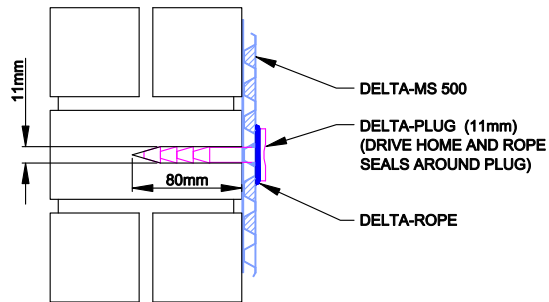


ACCEPTS 6mm DIAMETER / SIZE 12 SCREW

DELTA-PLUG WITH DELTA-MS20

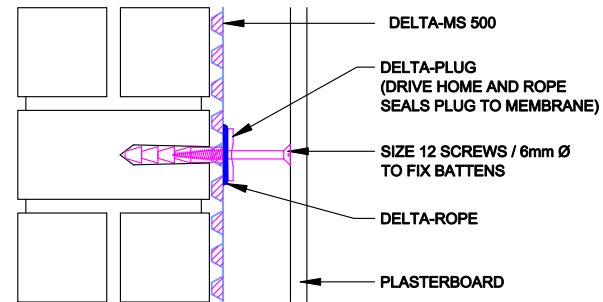


FIXING DETAIL - DELTA PLUG



USE SIZE 12 SCREWS TO FIX BATTENS
OR METAL LINING SYSTEMS
USE 11mm DRILL BIT

FIXING DETAIL - DELTA system 500



PRE-TREATED BATTENS CAN BE FIXED INTO
DELTA-PLUGS USING SIZE 12 SCREWS.

DELTA MEMBRANE SYSTEMS LTD.

DRAWING No: DW-131-1- (F)

DRAWING TITLE: DELTA PLUG DETAILS

DELTA HOUSE, MERLIN WAY, NORTH WEALD, EPPING, ESSEX CM16 6HR
TEL: 01992 523523 FAX: 01992 523250

OFFICE USE:

REVISION No:

1

REVISION DATE:

June 2017

Drawn By:

Checked By:

Scale:

System Files: PDF / DWG

DRAWING NOTE:

This drawing is for illustrative purposes only. Drawing not to scale.

PROJECT / COMMENTS:

DRAWING NOTES:

All installations to be carried out in strict accordance with manufacturer's installations instructions.
For further assistance contact Delta Technical on 01992 523 523 or email technical@deltamembranes.com