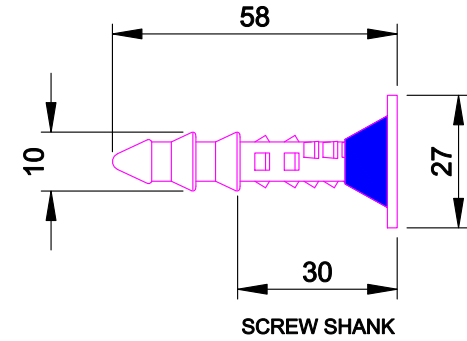
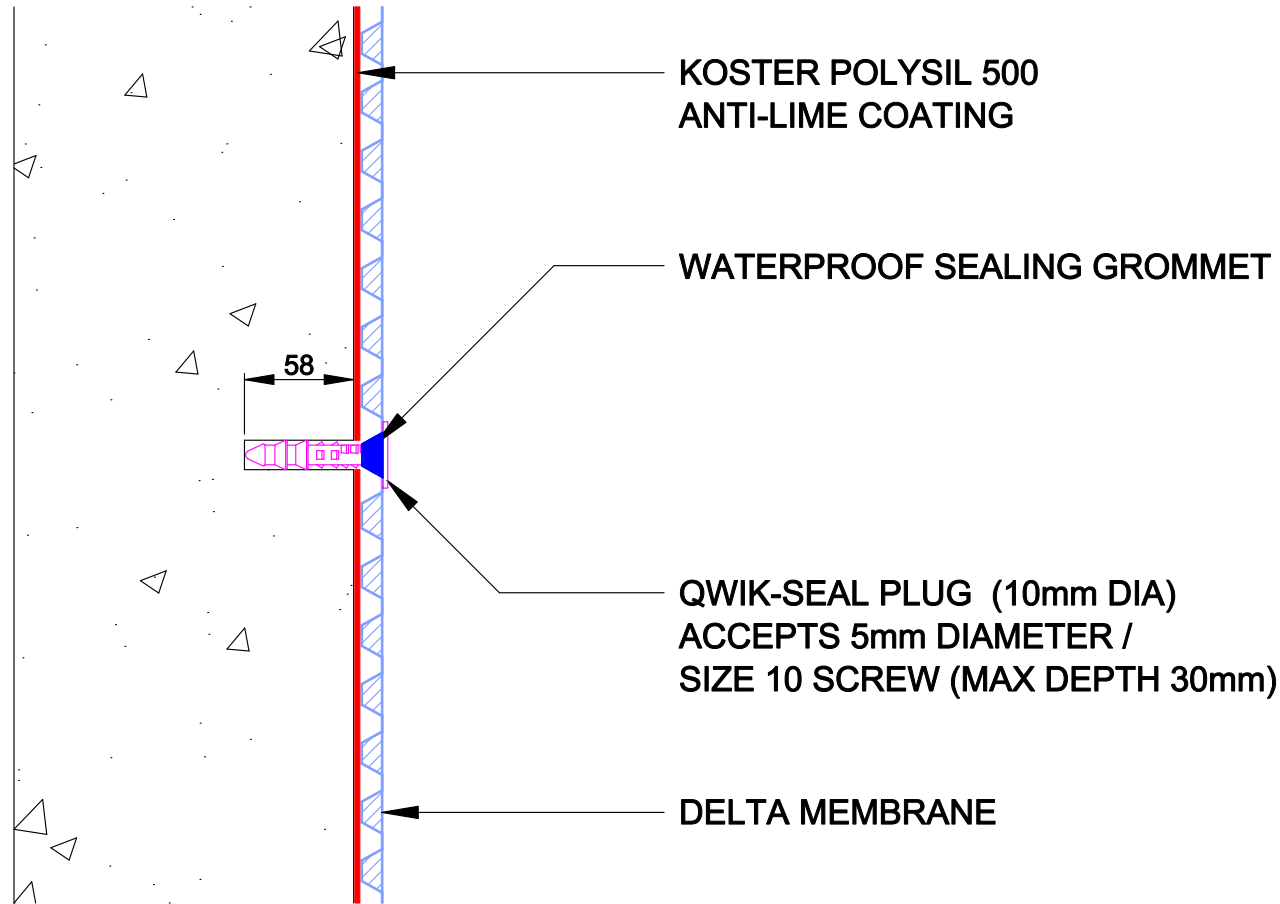


# DELTA QWIK-SEAL PLUG



**DELTA** MEMBRANE SYSTEMS LTD.

DRAWING No: DW-158-2- (F)

DRAWING TITLE: DELTA QWIK-SEAL PLUG

DELTA HOUSE, MERLIN WAY, NORTH WEALD, EPPING, ESSEX CM16 6HR  
 TEL: 01992 523523 FAX: 01992 523250

OFFICE USE:

REVISION No:  
2

REVISION DATE:  
March 2018

Drawn By:  
Checked By:  
Scale:  
System Files: PDF / DWG

DRAWING NOTE:

This drawing is for illustrative purposes only. Drawing not to scale.

PROJECT / COMMENTS:

DRAWING NOTES:  
 All installations to be carried out in strict accordance with manufacturer's installations instructions.  
 For further assistance contact Delta Technical on 01992 523 523 or email technical@deltamembranes.com