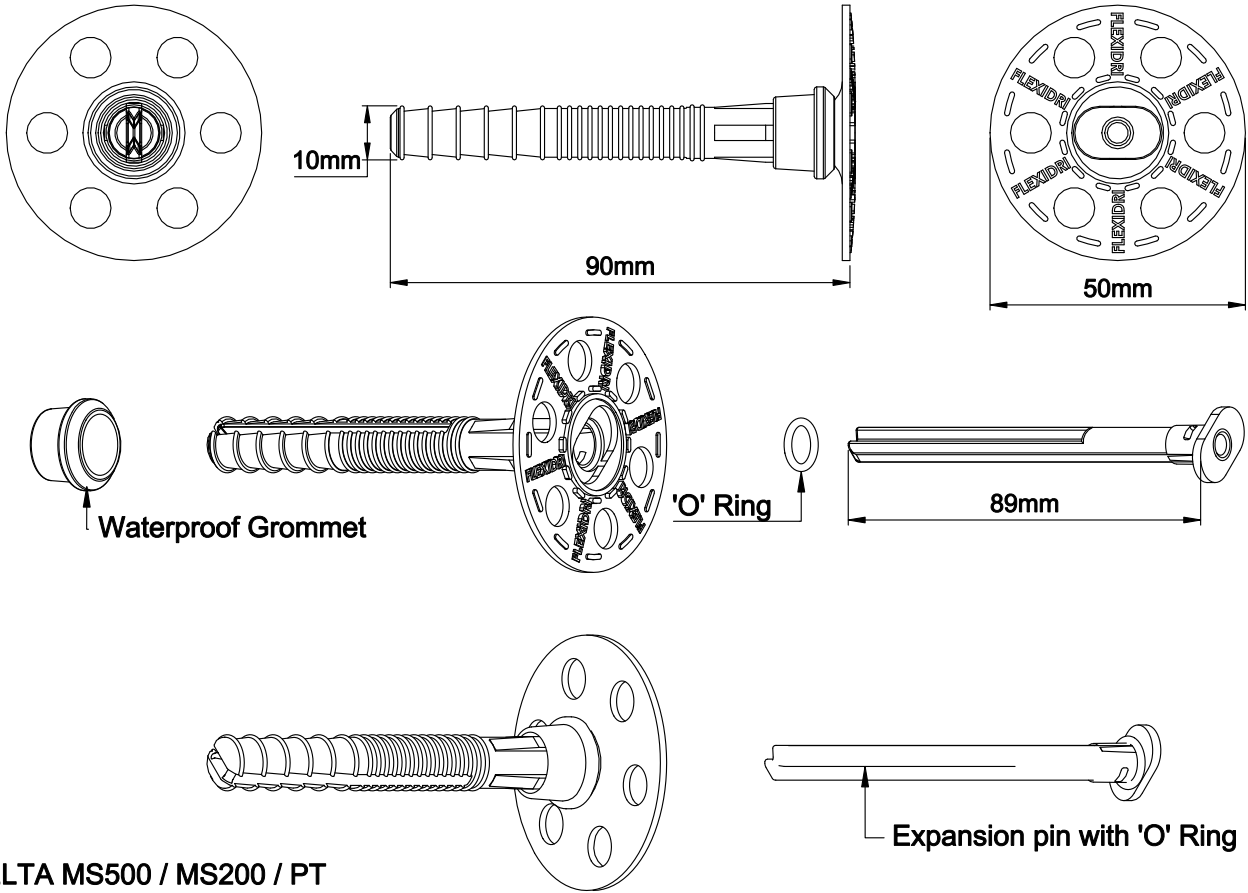


FLEXIDRI PLUS FIXING PLUG



**FOR FIXING DELTA MS500 / MS200 / PT
INTO SOFT, WEAK OR FRIABLE SUBSTRATES**

DELTA MEMBRANE SYSTEMS LTD.

DRAWING No: DW-161-1- (F)

DRAWING TITLE: FLEXIDRI PLUS FIXING PLUG

DELTA HOUSE, MERLIN WAY, NORTH WEALD, EPPING, ESSEX CM16 6HR
TEL: 01992 523523 FAX: 01992 523250

OFFICE USE:

REVISION No: 1	Drawn By: Checked By:
REVISION DATE: June 2017	Scale: System Files: PDF / DWG

DRAWING NOTE:
This drawing is for illustrative purposes only. Drawing not to scale.

PROJECT / COMMENTS:

DRAWING NOTES:
All installations to be carried out in strict accordance with manufacturer's installations instructions.
For further assistance contact Delta Technical on 01992 523 523 or email technical@deltamembranes.com