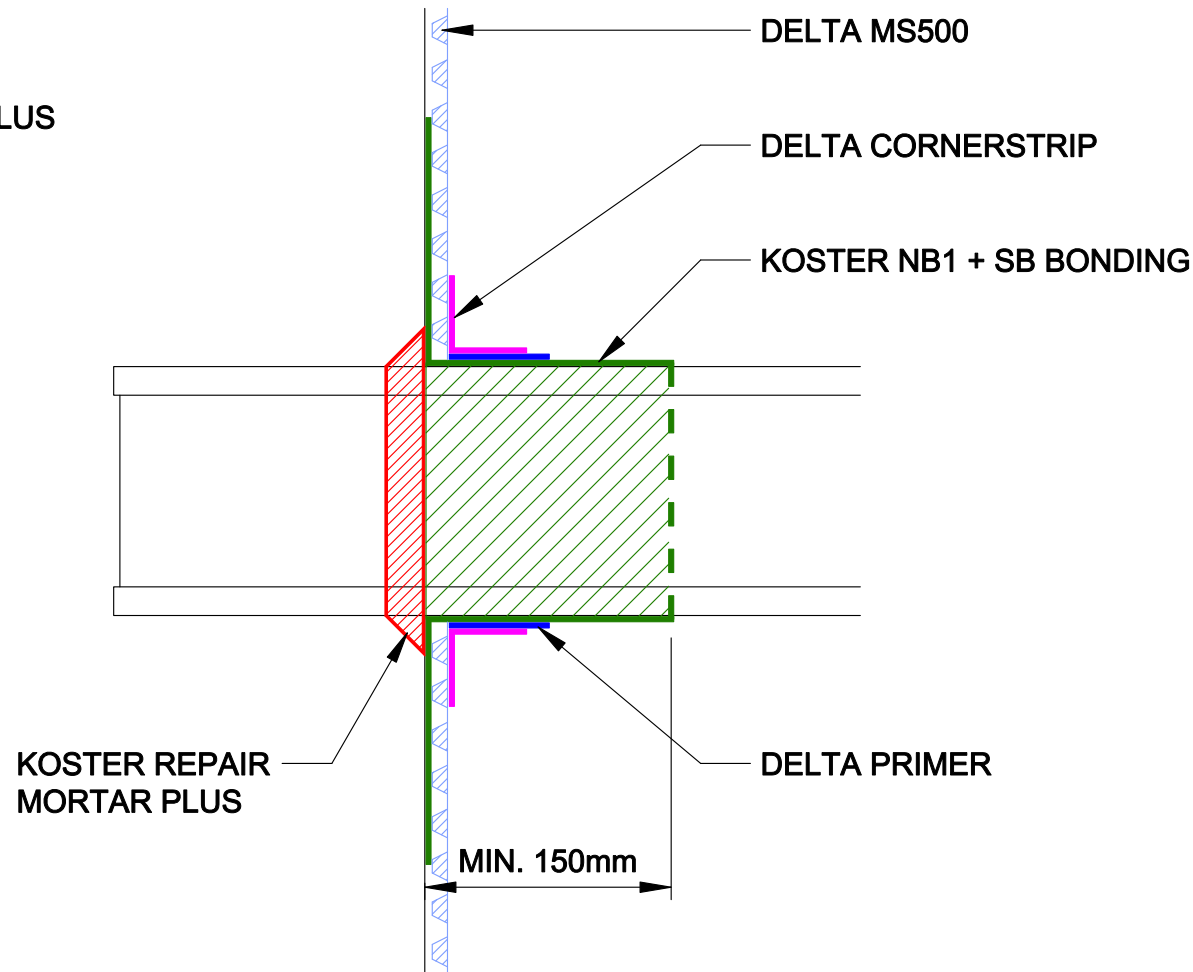


**WATERPROOFING TO EXISTING STEEL BEAM END
KOSTER DETAIL ONLY**



KOSTER + DELTA MS DETAIL

DELTA MEMBRANE SYSTEMS LTD.

DRAWING No: DW-251-1-(C)
DRAWING TITLE: WATERPROOFING TO EXISTING STEEL BEAM END

DELTA HOUSE, MERLIN WAY, NORTH WEALD, EPPING, ESSEX CM16 6HR
TEL: 01992 523523 FAX: 01992 523250

OFFICE USE:
REVISION No: 1
REVISION DATE: June 2017
Drawn By:
Checked By:
Scale:
System Files: PDF / DWG

DRAWING NOTE:
This drawing is for illustrative purposes only. Drawing not to scale.

PROJECT / COMMENTS:

DRAWING NOTES:
All installations to be carried out in strict accordance with manufacturer's installations instructions.
For further assistance contact Delta Technical on 01992 523 523 or email technical@deltamembranes.com