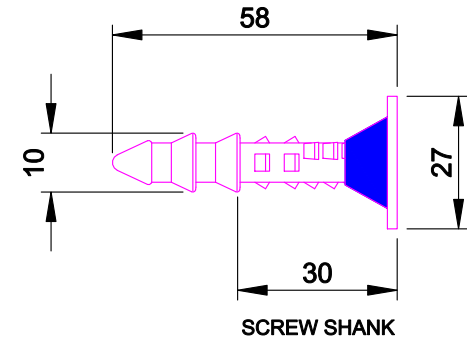
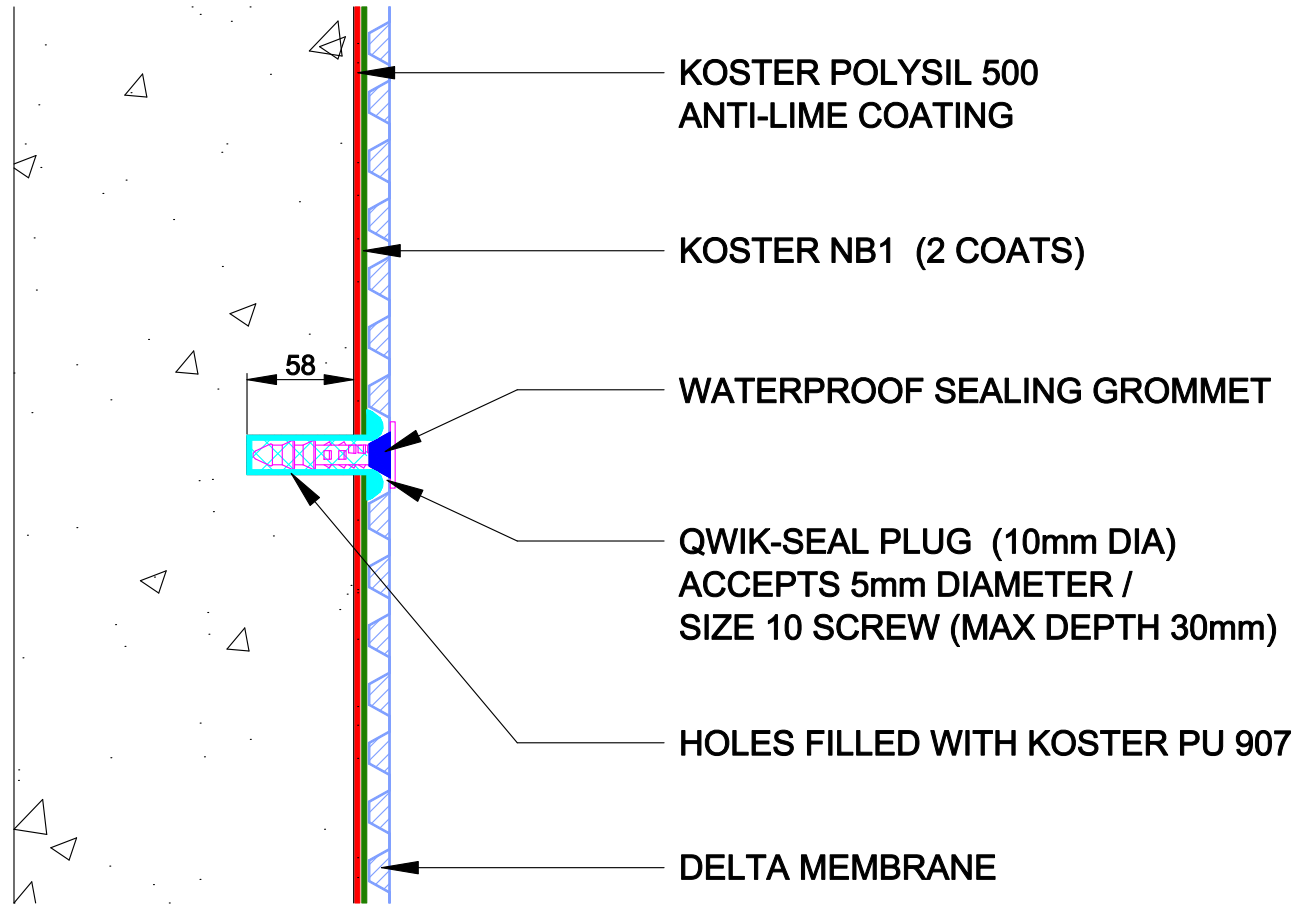


DELTA QWIK-SEAL PLUG



DELTA MEMBRANE SYSTEMS LTD.

DRAWING No: DW-273-1- (F)

DRAWING TITLE: DELTA QWIK-SEAL PLUG / KOSTER PU 907 TWIN WATERPROOFING

DELTA HOUSE, MERLIN WAY, NORTH WEALD, EPPING, ESSEX CM16 6HR
 TEL: 01992 523523 FAX: 01992 523250

OFFICE USE:

REVISION No:
1

REVISION DATE:
March 2018

Drawn By:
Checked By:
Scale:
System Files: PDF / DWG

DRAWING NOTE:

This drawing is for illustrative purposes only. Drawing not to scale.

PROJECT / COMMENTS:

DRAWING NOTES:
 All installations to be carried out in strict accordance with manufacturer's installations instructions.
 For further assistance contact Delta Technical on 01992 523 523 or email technical@deltamembranes.com