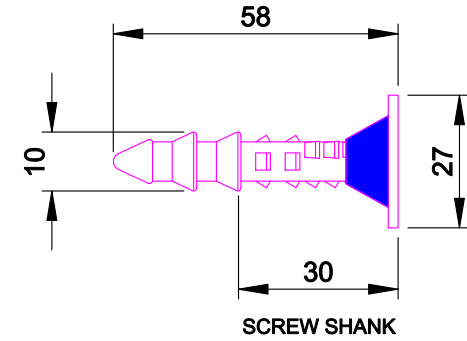
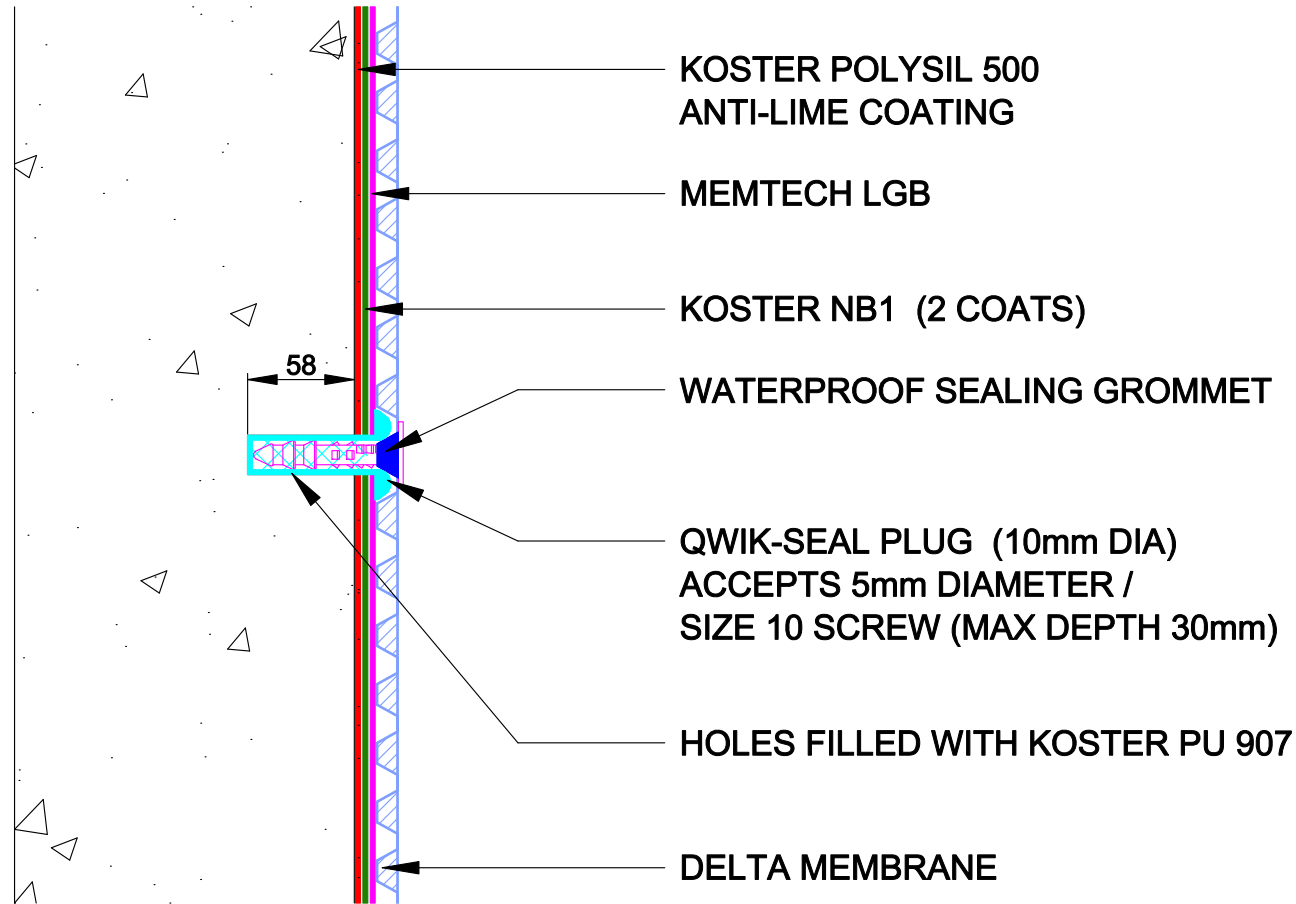


# DELTA QWIK-SEAL PLUG



DELTA HOUSE, MERLIN WAY, NORTH WEALD, EPPING, ESSEX CM16 6HR  
 TEL: 01992 523523 FAX: 01992 523250

**DRAWING NOTES:**  
 Memtech Titan provides both a waterproof membrane and Hydrocarbon and VOC barrier in accordance with BS 8102 (2009) and BS 8485: 2015

OFFICE USE:	
REVISION No: 1	Drawn By: Checked By:
REVISION DATE: April 2018	Scale: System Files: PDF / DWG

**DRAWING NOTE:**  
 This drawing is for illustrative purposes only. Drawing not to scale.

**DRAWING No:** DGS-336-1  
**DRAWING TITLE:** DELTA QWIK-SEAL PLUG / KOSTER PU 907 TWIN WATERPROOFING + GAS PROTECTION

**PROJECT / COMMENTS:**