

# PRODUCT DATA SHEET

## DELTA DUAL V3

Product Code: DMS164



[info@deltamembranes.com](mailto:info@deltamembranes.com)

[www.deltamembranes.com](http://www.deltamembranes.com)

01992 523 523

The Dual V3 packaged pump station has been specifically designed to work in harmony with the Delta Cavity Drainage System to collect Ground Water via a perimeter channel or 110mm pipe (129 Detail).

Pumping applications are invariably demanding – typically operating in unsympathetic, arduous or extreme environments, where quality matters. The Dual V3 sump offers unrivalled capabilities.



### BENEFITS

- The pump station is delivered as a complete package including chamber, all internal pipe work and two powerful V3 pumps.
- Designed specifically for below ground applications
- HDPE chamber
- Able to withstand hydrostatic forces encountered in applications with high water tables
- Suitable for residential, commercial and heritage buildings



### SPECIFICATION

- NBS Specification R18 (Clause 310) Pumping Stations and Pressure Pipelines
- BS 8102:2009 Type C Drained Protection



### ASSOCIATED PRODUCTS

- AlertMaxx2
- Delta HLA
- PowerMaxx

### TECHNICAL DATA

Chamber	Dual V3
Contents	1 x chamber 785x655mm deep, inc. internal pipe & 2 x V3 pumps
Chamber Material	High Density Polyethylene
Volume Below Inlets	87L
Fixed Inlets	3 x 110/160mm
Cable Duct	50mm
Discharge Connection	1.25"/32mm BSP Class C
Discharge Pipework	1.25"/32mm BSP Class C
Internal Pipework	1.25"/32mm BSP Class C
Cable Duct Pipework	2"/50mm White Waste Pipe

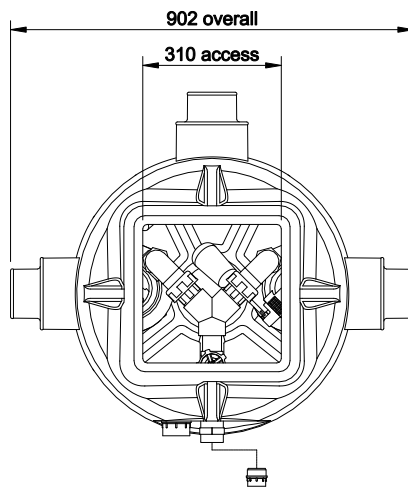
# PRODUCT DATA SHEET

## DELTA DUAL V3

Product Code: DMS164

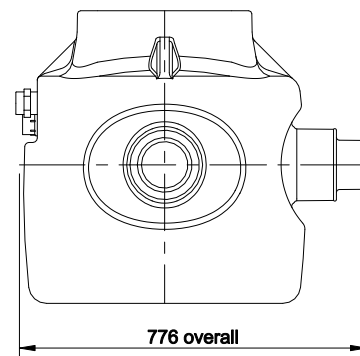
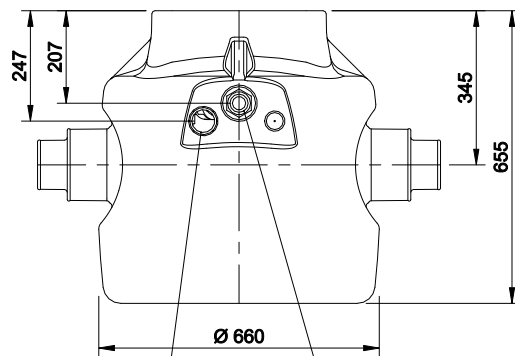
### TECHNICAL DRAWING

Delta Dual V3 for below ground drainage



**DELTA MEMBRANE SYSTEMS**  
**DUAL V3 SUMP - 2 x V3 PUMPS**

PUMP TYPE	V3P
P1	0.43kW
P2	0.18kW
FLC	1.9A



**CABLE DUCT**  
 2" / 50mm FEMALE  
 TO ACCEPT STD,  
 DRAINAGE PIPE

**DISCHARGE**  
 1 1/4" BSP / 32mm MALE  
 IRON SUPPLIED LOOSE

Head Office:

Delta House, Merlin Way, North Weald, Epping, Essex, CM16 6HR  
 01992 523 523 | info@deltamembranes.com | www.deltamembranes.com

DMS PDS 2019