



info@deltamembranes.com

www.deltamembranes.com

01992 523 523

The Delta Dual V6 Sump & Pump Unit is designed for use in deep basements, basements of more than one storey or where long discharge runs are required.

The Dual V6 are upgrades to the standard Dual V3 sump pumps where higher discharge heads are required. They can collect groundwater from a cavity drainage membrane system and light wells that totals up to 12m².

Groundwater enters via the membrane system and drainage channels and collects through the top opening of the sump or via three 110mm pipe inlets. The water is then pumped via two powerful V6 float-activated submersible pumps to mains drainage or another suitable outlet.



BENEFITS

- The Dual V6 is suitable for double and triple depth basements with a head height of over 3m.
- Suitable to collect ground water from 150m² basement and surface water from 12m² of light well area
- HDPE chamber
- Capable of pumping 12m² of surface area in addition to ground water
- Suitable for residential, commercial and heritage buildings



SPECIFICATION

- NBS Specification R18 (Clause 310) Pumping Stations and Pressure Pipelines
- BS 8102:2009 Type C Drained Protection



ASSOCIATED PRODUCTS

- AlertMaxx2
- Delta HLA
- Hi-PowerMaxx

PRODUCT DATA SHEET

DELTA DUAL V6

Product Code: DMS089

TECHNICAL DATA

Chamber	Dual V6
Chamber Material	High Density Polyethylene
Volume Below Inlets	137L
Volume Total	273L
Fixed Inlets	3 x 110/160mm
Cable Duct	50mm
Discharge Connection	2"/50mm BSP Class C
Discharge Pipework	2"/50mm BSP Class C
Internal Pipework	1.25"/32mm BSP Class C
Cable Duct Pipework	2"/50mm White Waste Pipe
Vent Pipework	2"/50mm White Waste Pipe

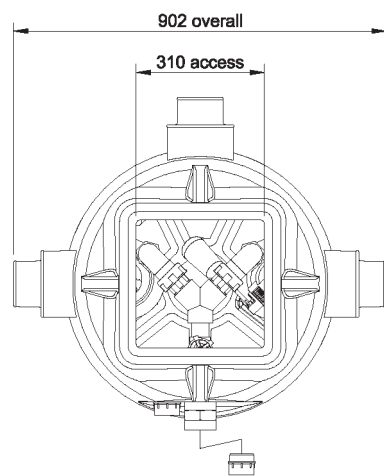
PRODUCT DATA SHEET

DELTA DUAL V6

Product Code: DMS089

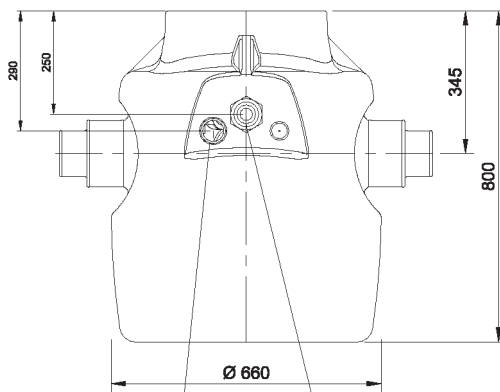
TECHNICAL DRAWING

Standard Delta Dual V6



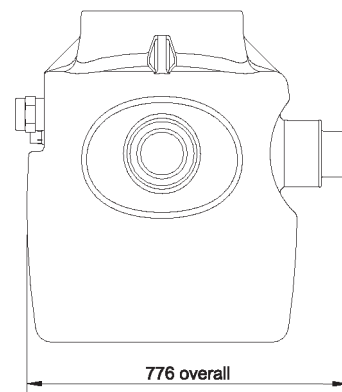
DELTA MEMBRANE SYSTEMS
DUAL V6 - 2 x V6 PUMPS

PUMP TYPE	V6P
P1	1.1kW
P2	0.5kW
FLC	4.9A



CABLE DUCT
2" / 50mm FEMALE
TO ACCEPT STD.
DRAINAGE PIPE

DISCHARGE
2" BSP / 50mm MALE
IRON SUPPLIED LOOSE



Head Office:

Delta House, Merlin Way, North Weald, Epping, Essex, CM16 6HR
01992 523 523 | info@deltamembranes.com | www.deltamembranes.com

DMSPDS2019