

PRODUCT DATA SHEET

DELTA SINGLE V3 PUMP

Product Code: DMS047/DMS107



info@deltamembranes.com

www.deltamembranes.com

01992 523 523

The Delta Single V3 pump station has been specifically designed for below ground applications.

The standard Single V3 (DMS 047) packaged pump station is designed to collect ground water from a Delta cavity membrane system through the clear opening to the top of the chamber. This pump station would be selected where no running water is present or expected and therefore is for protection only, i.e. for non-perishable areas.

The Single V3 sump with inlets (DMS 107) allows for one or two 110mm pipes to be connected into the side of the chamber, we recommend taking advice from one of our technical support engineers before selecting this product.



BENEFITS

- The pump station is delivered as a complete package including, chamber, all internal pipe work and one powerful Delta V₃ pump
- Ready for immediate and simple installation
- Suitable for Flood Resilience
- Suitable for new, existing and retrofit basement projects
- Ability to easily deal with aggressive ground water conditions
- Service Plans available through our pump partners if required
- Suitable for residential, commercial and heritage buildings



SPECIFICATION

- NBS Specification R18 (Clause 310) Pumping Stations and Pressure Pipelines
- BS 8102:2009 Type C Drained Protection



ASSOCIATED PRODUCTS

- AlertMaxx2
- Delta HLA
- PowerMaxx

PRODUCT DATA SHEET

DELTA SINGLE V₃ PUMP

Product Code: DMS047/DMS107

TECHNICAL DATA

Chamber	Single
Chamber Material	High Density Polyethylene
Volume Below Inlets	40L
Volume Total	80L
Fixed Inlets	2 x 110/160mm
Cable Duct	32mm
Discharge Connection	1.25"/32mm BSP Class C
Discharge Pipework	1.25"/32mm BSP Class C
Internal Pipework	1.25"/32mm BSP Class C
Cable Duct Pipework	1.25"/32mm White Waste Pipe

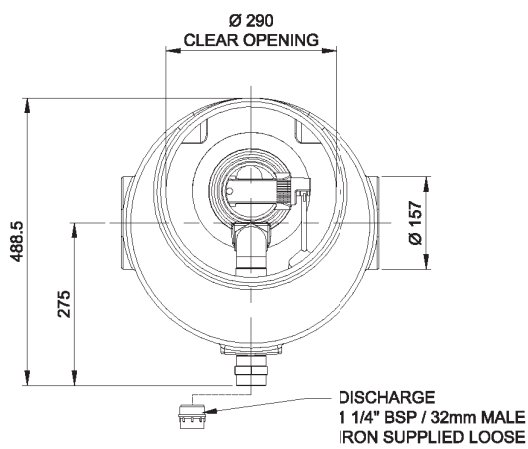
PRODUCT DATA SHEET

DELTA SINGLE V3 PUMP

Product Code: DMS047/DMS107

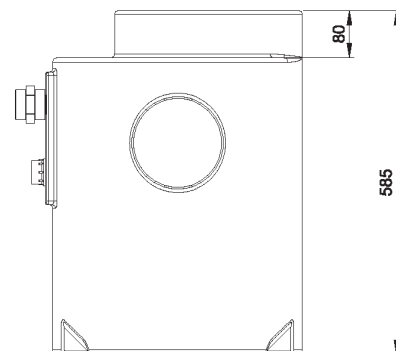
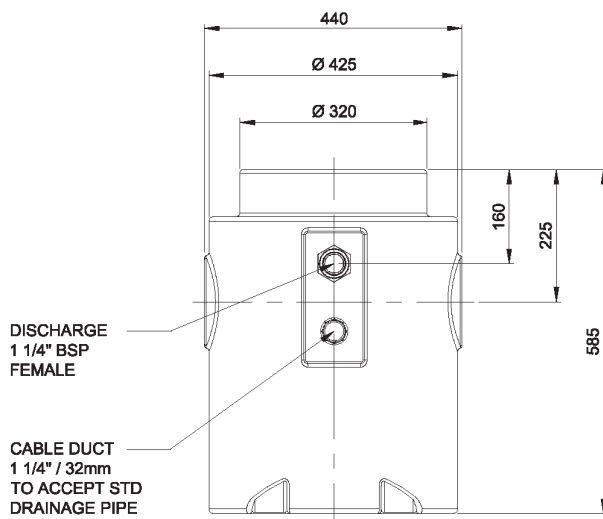
TECHNICAL DRAWING

Delta Single V3 Pump with no inlets



DELTA MEMBRANE SYSTEMS SINGLE V3 SUMP - NO INLETS

PUMP TYPE	V3P
P1	0.43kW
P2	0.18kW
FLC	1.9A



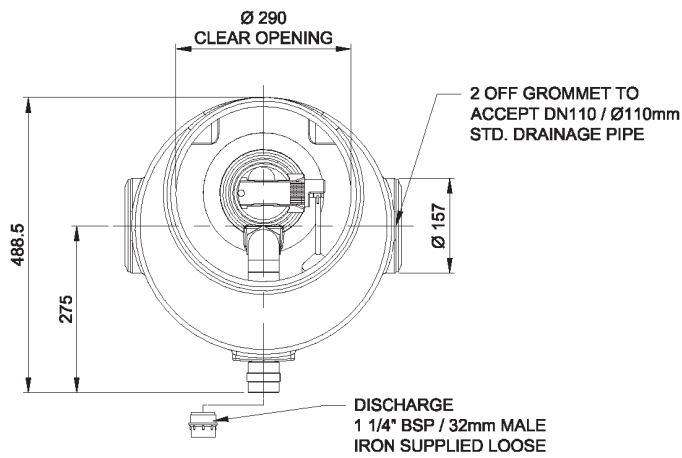
PRODUCT DATA SHEET

DELTA SINGLE V3 PUMP

Product Code: DMS047/DMS107

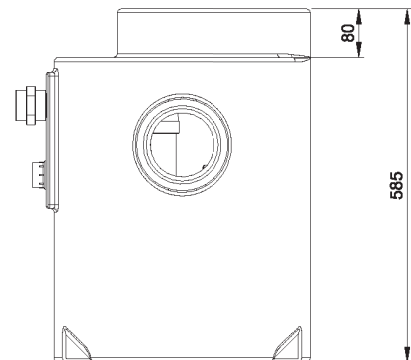
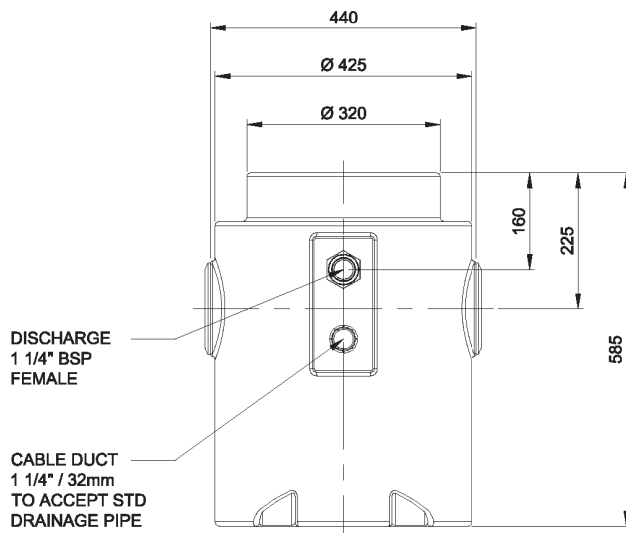
TECHNICAL DRAWING

Delta Single V3 Pump with 2 inlets



DELTA MEMBRANE SYSTEMS SINGLE V3 SUMP - 2 x INLETS

PUMP TYPE	V3P
P1	0.43kW
P2	0.18kW
FLC	1.9A



Head Office:

Delta House, Merlin Way, North Weald, Epping, Essex, CM16 6HR
01992 523 523 | info@deltamembranes.com | www.deltamembranes.com

DMSPDS2019