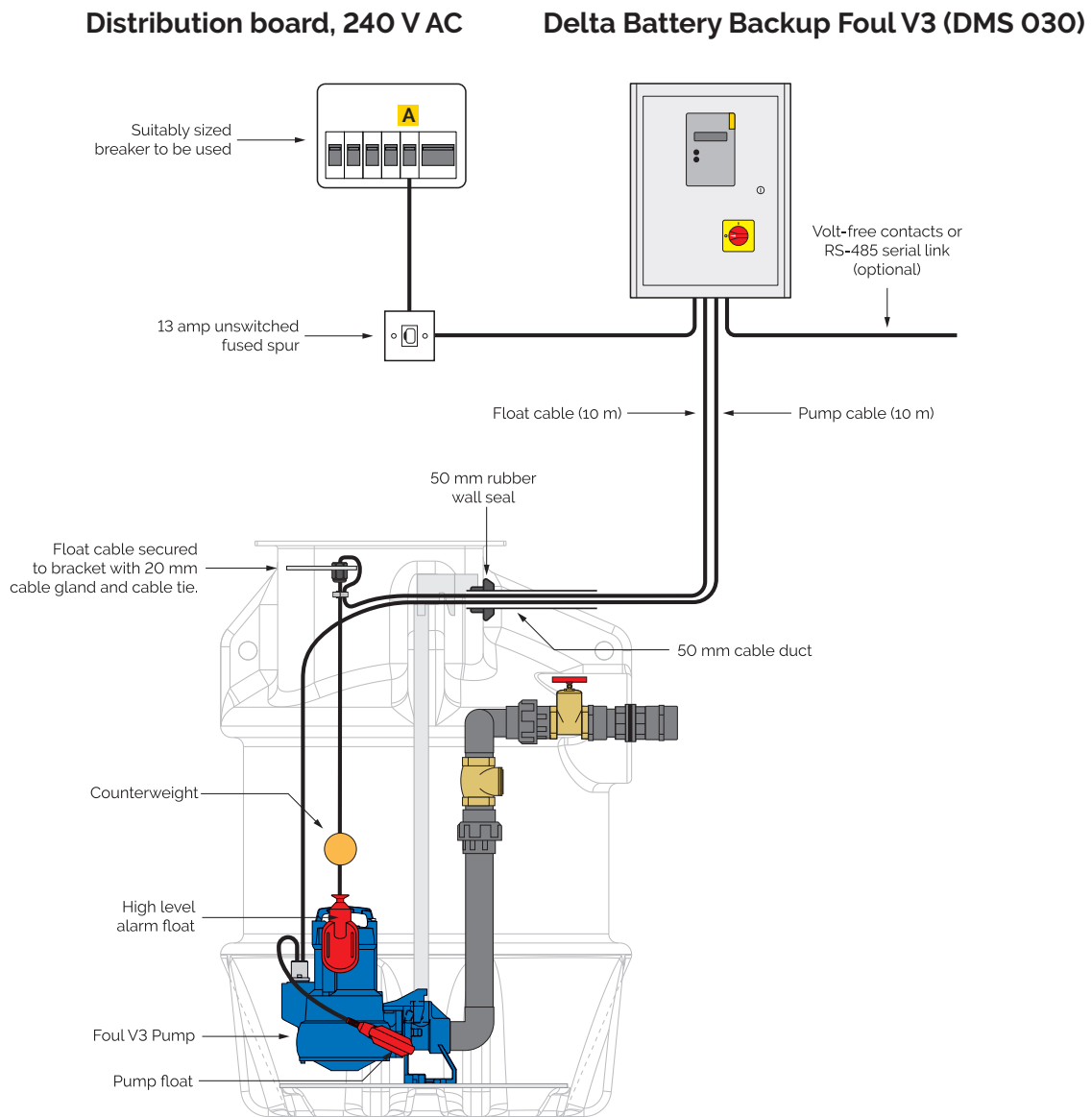


WIRING SCHEMATIC

Delta 800 Single Foul V3 + Delta Battery Backup Foul V3



Delta 800 Single Foul V3 packaged pumping station

BREAKER SPECIFICATION

Description	Device type	Rating
A Delta Battery Backup	RCBO, Type C	10 A

HEALTH AND SAFETY REQUIREMENTS

Only qualified personnel should carry out the electrical installation in accordance with BS 7671 "Requirements for Electrical Installations. IET Wiring Regulations", and the Health and Safety at Work Act 1974.

CABLE EXTENSIONS

If cable extensions are required for the pump power cable or the float cable, a qualified electrical contractor must make all electrical connections. Suitable cable extension kits are available to order from Delta Membranes on 01992 523 523 between 8am and 5pm, Monday to Friday or by email at info@deltamembranes.com



NBS Source