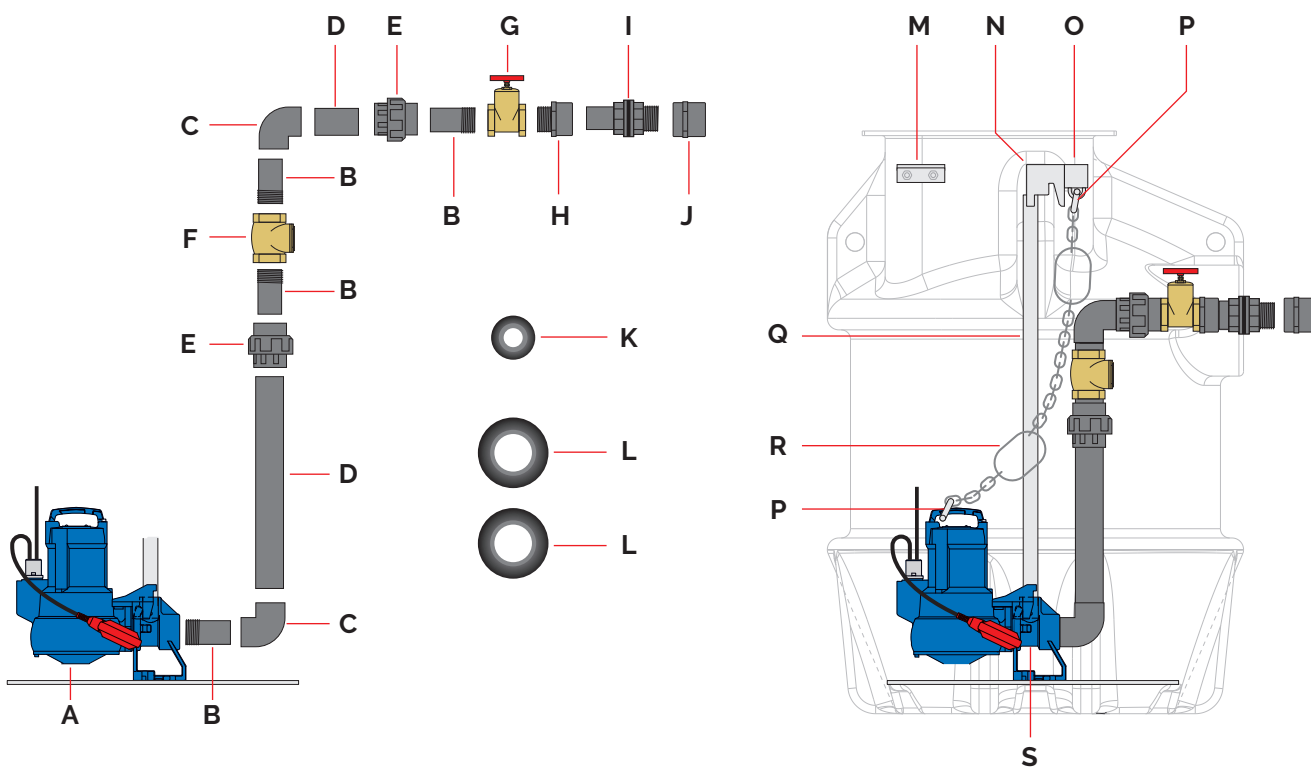


PIPEWORK SCHEMATIC

Delta 800 Single Foul Packaged Pumping Station



Part	Description	DMS Code
A	Delta Foul V3 (Automatic)	DMS 120
B	Barrel nipple PL/TH, 2"	DMS E128
C	90° elbow, 2"	DMS E121
D	High pressure PVC pipe (Class E), 2"	DMS E120
E	Socket union, 2" c/w 'O' ring	DMS E126
F	Brass swing check valve, 2"	DMS E193
G	Brass gate valve, 2"	DMS E188
H	Male threaded adaptor, 2"	DMS E124
I	Tank connector, 2"	DMS E130
J	Coupling PL/TH, 2"	DMS E127

Part	Description	DMS Code
K	Rubber wall seal, 50 mm (cable duct, 50 mm inlets)	DMS E168
L	Rubber wall seal, 110 mm (vent duct, 110 mm inlets)	DMS E169
M	2-hole sump float bracket, steel	DMS E234
N	Guide rail top bracket	-
O	Unistrut kit c/w bracket	-
P	Galvanised steel shackle, 8 mm	-
Q	Guide rail tube, galvanised steel, 25 mm	-
R	Galvanised steel lifting chain	-
S	Pedestal for Foul V3 Submersible Pump	DMS 163



PIPEWORK SCHEMATIC

Delta 800 Single Foul Packaged Pumping Station

