



Description

The Delta UPS V3 is specifically designed for basement drainage systems (submersible pumps/sump pumps) when there is a loss of mains power. It will keep one Delta V3 Submersible Pump running during a power outage, keeping basements dry.

If power failure occurs, the Delta UPS V3 automatically powers the Delta V3 pump. It can provide power for 30 minutes continuously, based on a 3.5 m head. This is equivalent to 30 hours protection, in accordance with PCA guidance of a minimum of three activations per hour.

A buzzer alerts the user when the pump is drawing power from the battery.

Simple to use and easy to install – the Delta UPS V3 clearly displays its status and comprehensive fault codes.

It is not suitable for powering a Delta V4 or Delta V6 pump. For such installations, please refer to the Delta UPS V4/6 or the Delta Battery Backup V4/6 range.

Features

- Capable of running 1 x V3 ground water pump without mains power for up to 30 hours (depending on number of cycles/hr)
- Industry leading backup power
- Quick charge to top-up the battery from empty to 80% in just 4 hours
- Digital display to show status and comprehensive fault codes
- Virtually inaudible

Product details

DMS E021



Specification

- L V 2014/35/EU low voltage
- EMC 2014/30/EU electromagnetic compatibility
- Safety IEC EN 62040-1
- EMC IEC EN 62040-2
- RoHS compliant

Associated products

- Delta Dual V3 Packaged Pumping Station
- Delta 800 Series – Dual V3



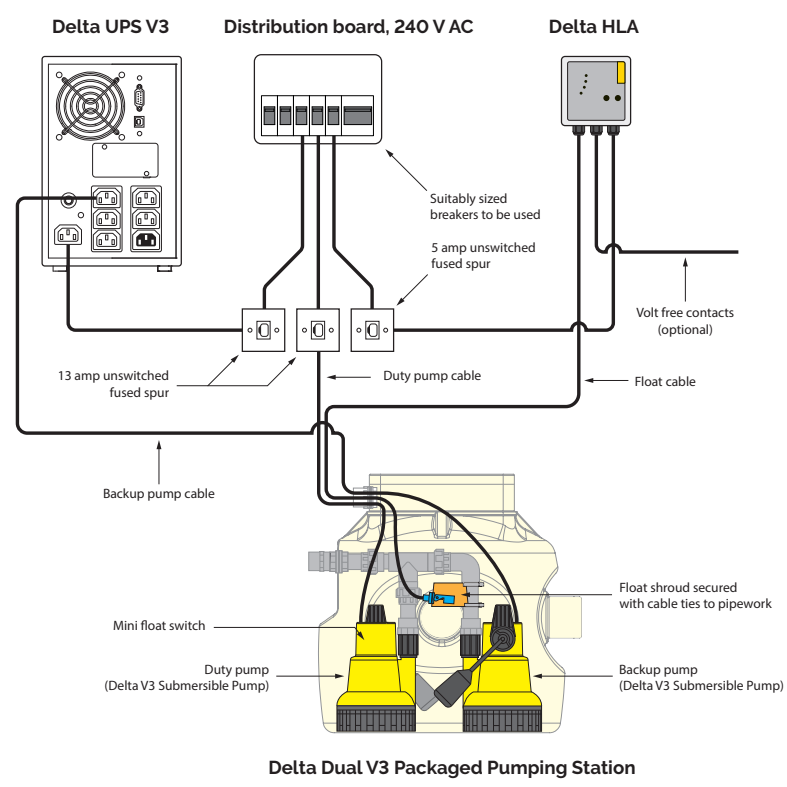
PRODUCT DATA SHEET

Delta UPS V3

Technical data

Delta UPS V3	
Input	
Nominal voltage	220–240 VAC
Nominal frequency	50 Hz
Nominal current	9.7 A
Battery	
Usage (based on a 3.5m head)	Delta V3 pump, 30 mins continuous
Battery type	Maintenance-free lead based
Recharge time	<4 hours for 80% of the load
Output	
Nominal voltage	230 VAC
Frequency	50 Hz
Nominal power	2000 VA
Nominal power	1600 W
Other	
Ambient temperature	0°C to +40°C
Humidity	< 90% without condensation
Protection devices	<ul style="list-style-type: none"> • excessively low batteries • overcurrent • short circuit • overvoltage • undervoltage • circuit breaker
Max dist. to chamber	10 metres
Weight	19 kg

Example installation



Other information

All data and information contained in these Product/Technical Data Sheets is up-to-date and correct as at the date of issue. The information given is suggested as guidance and should only be used for evaluating your specific application. Delta Membrane Systems Limited cannot control or anticipate the conditions under which this product may be used, each user should review the information in specific context of the planned use. The information contained in these Product/Technical Data Sheets should not be considered a warranty, expressed, or implied, including but not limited to a warranty of merchantability or fitness for a particular purpose. In no event shall Delta Membrane Systems Limited be liable for any incidental or consequential damages resulting from the use, misuse, or inability to use the product. This exclusion applies regardless of whether such damages are sought based on breach of warranty, breach of contract, negligence, strict liability in tort, or any other legal theory. When in doubt, contact Delta's Technical Team on 01992 523 523.